

FIS BLUE MATING SLEEVE

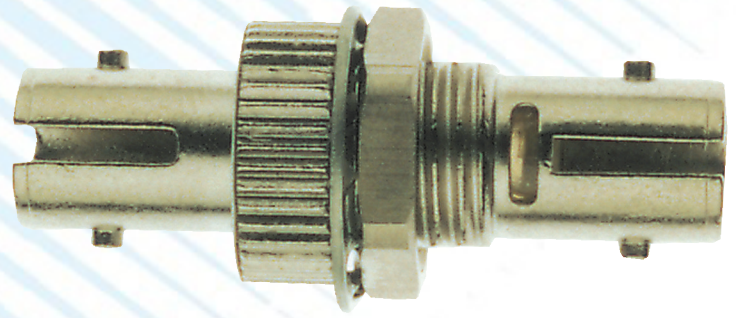


PRODUCT FEATURES AND BENEFITS

- EIA / TIA specifications
- Low insertion loss
- Compact and lightweight
- Easy installation on panels
- Perfect durability
- Precision alignment straight split sleeves

APPLICATIONS

- Telecommunications
- Local area network
- Fiber optic instruments
- Testing optical devices



F1-8102SS & F1-8200A

SPECIFICATIONS

Optical Characteristics- ST DD-Shape PC

Typical Insertion Loss

Singlemode

Multimode (Bronze)

.07

.15

Mechanical Characteristics

Insertion Loss variation after 500 connections

< 0.10dB

Corrosion resistant body

Materials

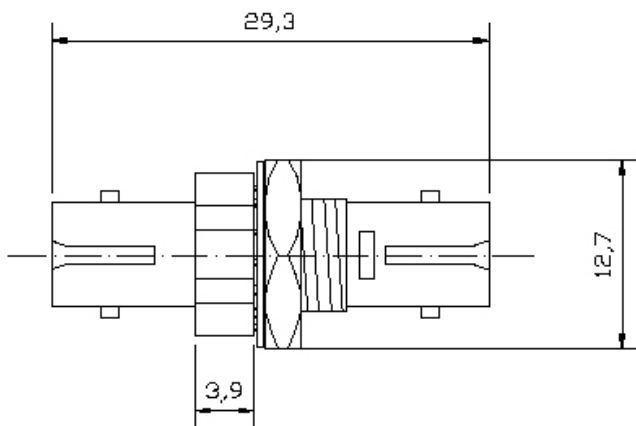
Dust cap	Vinyl
Body	Nickel Plated Brass
Sleeve	Zirconia or Phosphor Bronze
Hexagonal Nut	Nickel Plated Brass
Washer	Nickel Plated Brass

Environmental

Operating Temperature (°C)

.Min -20° Typ. +25° Max +60

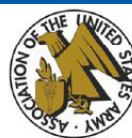
TECHNICAL DRAWING



Model	Flange	Recommended Panel Hole
ST Standard		

This following drawing shows the dimensions recommended for the panel hole.

161 Clear Road, Building One | Oriskany, NY 13424 | www.fisblue.com | info@fisblue.com | 1.877.347.0091



Rev. A 9-2014