

4 Channel Hermaphroditic Fiber Optic Cable Connectors

Description

Fiber optic cable connectors for harsh environment applications

Typical Applications

- Commercial broadcast cable
- Military tactical field usage
- Petroleum field exploration
- Field deployment
- Shipboard/pierside

Benefits/Features

- Genderless connection Cable connectors will link (concatenate) to identical connectors without regard to connector gender
- Channel count 2 or 4 fiber optic channels
- Fiber type compatibility Both single and multimode compatible in the same connector
- Ruggedness Designed to withstand crush, impact, cable pull-out, cable twist, bending moment, water and mud immersion, and many other harsh environments
- Reliability Proven performance in harsh environments



For more information, please contact us or visit our website at www.delphi.com/connect.

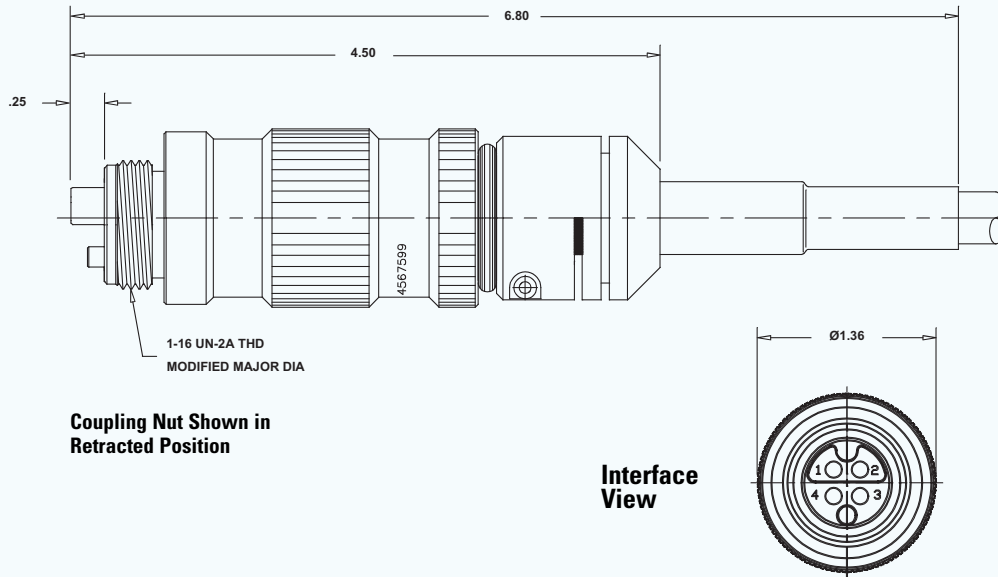
Connector Performance Criteria

Optical Insertion Loss	9/125 SM Fiber -0.25 dB avg., 62.5/125 MM Fiber -0.6 dB avg. Note - Values measured at 1300 nm per TIA/EIA-455-34
Optical Backreflection (sm)	Better than -40 dB with PC polish, better than -50 dB with enhanced PC polish
Mating Durability	1000 cycles minimum per TIA/EIA-455-21
Vibration	Per MIL-STD-1344, Method 2005, Condition II & VI-A
Mechanical Shock	Per TIA/EIA-455-2, Method C
Thermal Shock	-54°C to +85°C* per TIA/EIA-455-3, test condition A
Operating Temperature Range	-54°C to +85°C*
Storage Temperature	-65°C to +85°C*
Corrosion Resistance	500 hours salt spray per TIA/EIA-455-16
Ozone Exposure	ASTM-D-1149, 100-150 PPM for 2 hours
Temperature Humidity	Per TIA/EIA-455-5, type 2
Crush Resistance	225 pounds per TIA/EIA-455-26
Maintenance Aging	10 contact insertions/removals per MIL-STD-1344, Method 2002
Terminus (Contact) Retention Force	22 pounds minimum per MIL-STD-1344, Method 2007
Cable Retention	400 pounds minimum per TIA/EIA-455-6 (depending on cable construction)
Cable Seal Flexing	100 cycles per MIL-STD-1344, Method 2017
Cable Twist	1000 cycles per TIA/EIA-455-36
External Bending Moment	45 ft-lb at mounting panel
Impact	Per TIA/EIA-455-2
Water Pressure Sealing	Up to 25 PSI for 48 hours
Fluid Immersion	24 hours per fluid, per TIA/EIA-455-12

* Temperature ranges listed above are limited by the fiber optic cable performance window.

4 Channel Hermaphroditic Fiber Optic Cable Connectors

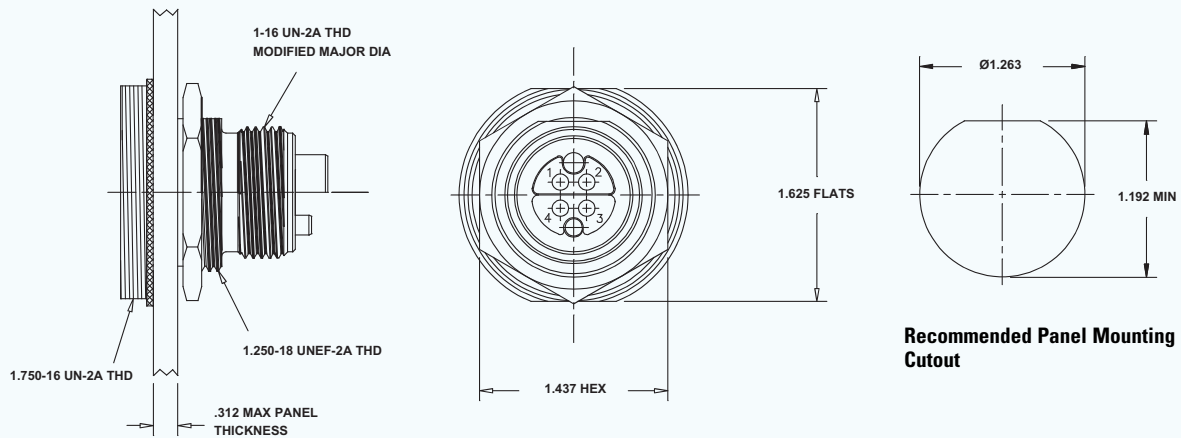
Cable Plug



Coupling Nut Shown in Retracted Position

Interface View

Receptacle, Jam Nut Mount



Recommended Panel Mounting Cutout

DELPHI

www.delphi.com/connect

Connection Systems

17150 Von Karman Ave.

Irvine, CA 92614

U.S.A.

Tel: [1] 949.660.5701

Fax: [1] 949.660.5825



Printed on Recycled Paper.
© 2001, Delphi. All rights reserved.
Printed in the U.S.A.

DP-01-E-018

0401/5M-YL - Conv802/3W